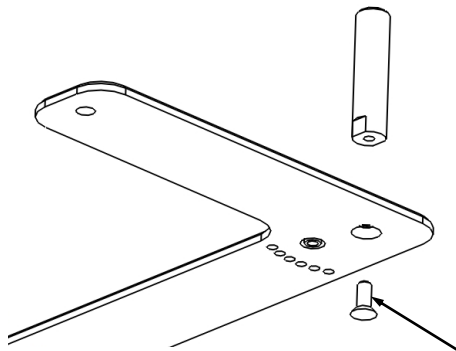


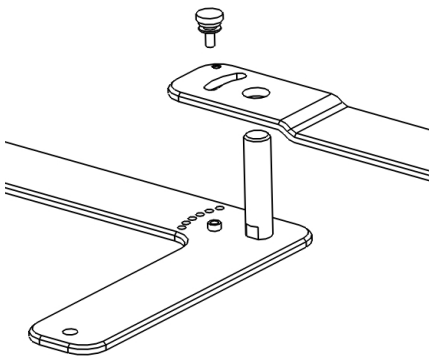
3-in-1 Weavebase Assembly Instructions



1.) Attach each post to the Weavebase using a 5/16 flat head screw. This will require a 5/8" end-wrench and Philips head screw driver. We recommend applying a small drop of the Loctite to the threads of the screw.

IMPORTANT: You should tighten the screw as much as possible. Your dog will be trying to loosen the post each time he passes by the pole.

Apply a small drop of Loctite



2.) You can now connect each of the 2x2 bases using the coupler. Place the coupler over the post, position the coupler on the desired angle and secure using the black threaded knob. Hand tighten only.

3.) To adjust the channel opening loosen the black knob, lift and rotate the couplers the desired amount. There are 6 positions, make certain the coupler is seated in the hole before tightening

