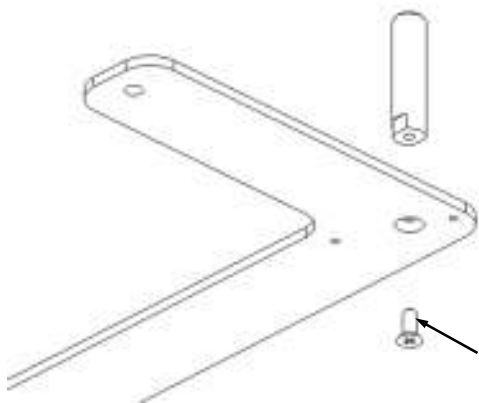


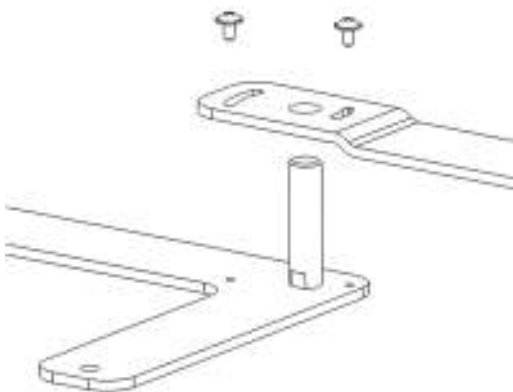
# 3-in-1 Weavebase Assembly Instructions



1.) Attach each post to the Weavebase using a 5/16 flat head screw. This will require a 5/8" end-wrench and Philips head screw driver. We recommend applying a small drop of the Loctite to the threads of the screw.

**IMPORTANT:** You should tighten the screw as much as possible. Your dog will be trying to loosen the post each time he passes by the pole.

Apply a small drop of Loctite



2.) You can now connect each of the 2x2 bases using the coupler. Place the coupler over the post and secure using the 1/4" screws as shown.

**DO NOT USE LOCTITE ON THESE SCREWS**

3.) To adjust the channel opening loosen the 1/4" screws and rotate the couplers the desired amount. Once each sections is set tighten the screws

